

# **SERVICE MANUAL**

## **VOX AC30HH**



### **TABLE OF CONTENTS**

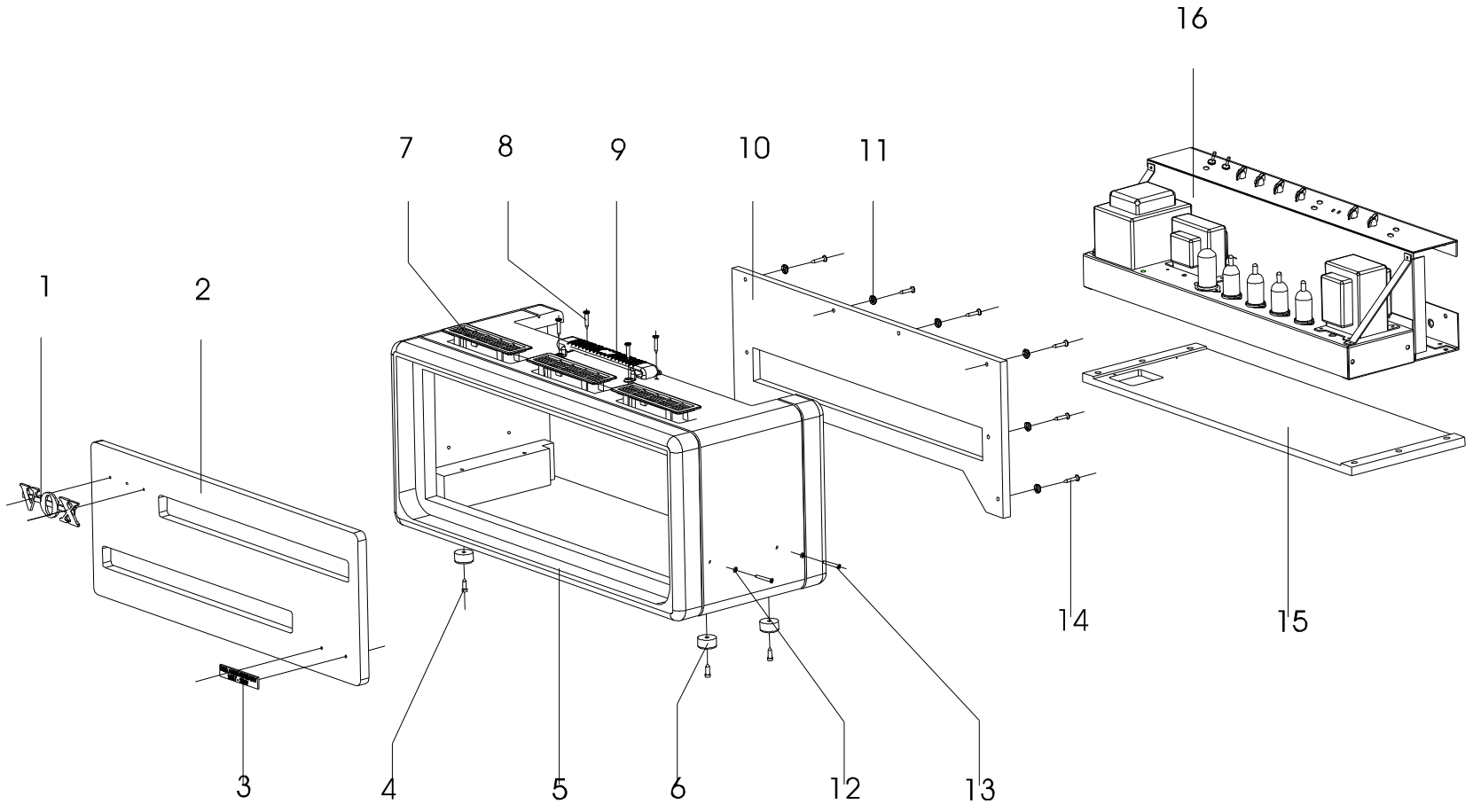
**ASSEMBLY SKETCH : 2**  
**ASSEMBLY PARTS LIST: 3**  
**SCHEMATIC DIAGRAM: 4**  
**COMPONENT LOCATION: 5-6**  
**PARTS LIST: 7-8**



**Issued: Oct.25, 2007**  
**Ver.1**

**AC30HH**

4



★ ASSEMBLY SKETCH

**ASSEMBLY PARTS LIST AC30HH**

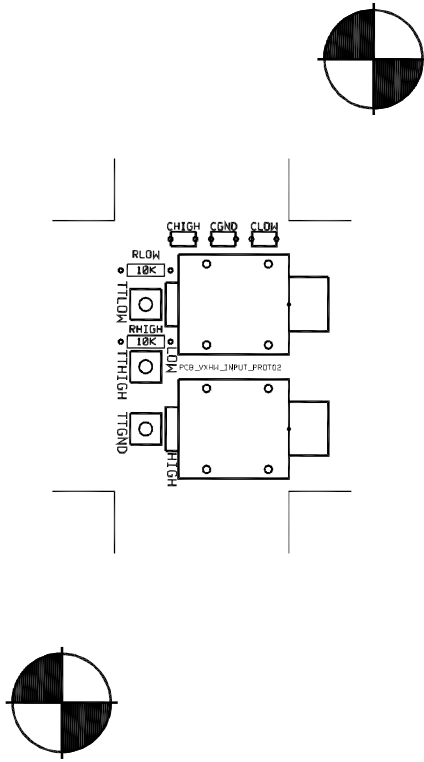
R/N	Part Code	Part Name	Description	QTY
1	530000000057	GOLDEN Logo	golden "VOX"	1
2	5300000000976	FRONT BAFFLE	Black spray brown diamond cloth	1
3	5300000000915	VOX Bronzing badge	Black ABS Text bronzing	1
4	-	WOOD SCREW	M4*20PA Round Head	6
5	5300000000991	CABINET	Cream vinyl black sprayed inside	1
6	5300000000916	RUBBER FEET	with steel washer inside	4
7	5300000000573	VOX VENTS	be made from ABS	3
8	-	SCREW	M4*24 Silver, half sinking head	4
9	5300000000917	VOX HANDLE	Brown PVC&Al-alloy	1
10	5300000000980	BACKBOARD	Cream vinyl black sprayed inside	1
11	-	M4 CUP WASHER	brass	8
12	-	M6 CUP WASHER	brass	4
13	-	SCREW	M6*60 head-sinking Brass	4
14	-	SCREW	M4*25 Silver, half sinking head	6
15	5300000000987	AMP SHELF	All sprayd black	1
16	See Parts List	AC15HW AMPLIFIER		1



★ PCB COMPONENTS LOCATON DRAWING

AC30HH

LAYER 7 (SILK SCREEN ARTWDRK)  
ISSUE - PROT02

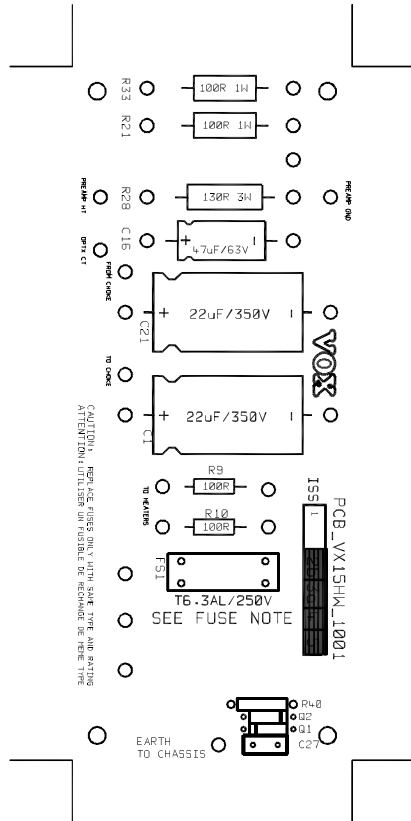
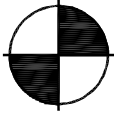


SILKSCREEN

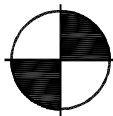


# PCB COMPONENTS LOCATON DRAWING6

51 KROCHMAN



LAYER 7 (SILK SCREEN ARTWORK)  
ISSUE - 1



AC30HH

## VOX

Part Number	Part Name	Reference	QTY
530000000932	INPUT POP PCB		2
530000000974	AC30H2 PREAMP POP PCB		1
530000000975	AC30HW POWER POP PCB		1
530000000599	FUSE T500MAL	FS101	1
530000000598	FUSE T5A	FS103	1
530000000680	FUSE WIRE T6.3A/250V	FS102	1
530000000114	FUSE BASE	FS103,101,102	6
530000000119	DIODE IN4007	D101,102,3	3
530000000091	MOVE SWITCH MS350 W1221S0022		1
530000000934	CREAM KNOB FOR HERITAGE		6
530000000705	EVA SPONGE 15.0W*2.0T		1
530000000979	FRONT PANEL AC30H2/L/HH		1
530000000986	BACK PANEL AC30H2/L/HH		1
530000000936	VALVE BASE		1
530000000989	CHASSIS 1 AC30H2/L/HH		1
530000000990	CHASSIS 2 AC30H2/L/HH		1
530000000605	VALVE 5AR4	V9	1
530000000097	VALVE ECC83(12AX7)	V2,4	1
530000000098	VALVE EL84EH	V5,6,7,8	4
530000000800	VACUUMTUBE EF86EH WITH DYNAMAT	V1	1
530000000798	12AX7WC MADE RUSSIA (SOVTEK)	V3,2	2
530000000604	VALVE BASE(GZ34) VT8-ST		1
530000000099	VALVE BASE GZC9F		8
530000000101	VALVE CLAMP 9T-60		4
530000000603	VALVE CASE EL34R		1
530000000943	VR A1M RV24AF-10	VR3,VR5	2
530000000944	VR B250K RV24F-10	VR1	1
530000000945	VR A500K RV24AF-10	VR2,VR4	2
530000000664	OUTPUT TRANSFORMER		1
530000000609	FUSE T2A/250V		1
530000000947	SW SR2511F-0203-15KOA-C9-N	SW2	1
530000000948	SW SS-12F13-G5B	SW1,SW4	2
530000000642	SW 6021-K1C1T2(100/230/240V)	SW5	1
530000000949	SW CHILY 6022	SW7	1
530000000950	POWER SOCKET RF-2004-C-4.8		1
530000000112	PHONE SOCKET LS-2031-4		3
530000000699	CHOKE COIL 15H		1
530000000574	GOLDEN STRINGS	2.95	2.95
530000000057	LOGO PLATE 217-1327000001	1	1
530000000915	VOX BRONZING BADGE	1	1
530000000916	RUBBER FOOT PAI43X19.1	4	4
530000000573	VENT GRILLE	3	3
530000000917	VOX HANDLE ASS'Y (BROWN)	1	1
530000000705	EVA SPONGE 15.0W*2.0T	1	1
530000000976	FRONT BAFFLE AC30HH	1	1
530000000980	BACKBOARD AC30HH	1	1
530000000987	AMP SHELF AC30HH	1	1

Part Number	Part Name	Reference	QTY
530000000991	CABINET AC30HH	1	1
530000000611	POWER CABLE (120V US/EX)	US, EX	(1)
530000000081	POWER CABLE AC15(230V UK)	UK	(1)
530000000695	POWER CORD (AU)	AU	(1)
530000000080	POWER CABLE AC15(230V GE)	GE	(1)
530000000078	POWER CABLE AC15(100V)	JP	(1)
530000000970	POWERTRANS022-1020042319R 120V	US, EX	(1)
530000000971	POWERTRANS022-1020042320R 230V	UK, GE	(1)
530000000972	POWERTRANS022-1020042321R 240V	AU	(1)
530000000969	POWERTRANS022-1020042318R 100V	JP	(1)
530000000608	FUSE T4AL/250V	US, EX, JP	(1)
530000000609	FUSE T2A/250V	UK, GE, AU	(1)
530000000995	AC30HW AMPLIFIER(120V US)	US	(1)
530000000996	AC30HW AMPLIFIER(230V UK)	UK	(1)
530000000997	AC30HW AMPLIFIER(240V AU)	AU	(1)
530000000998	AC30HW AMPLIFIER(230V GE)	GE	(1)
530000000999	AC30HW AMPLIFIER(100V JP)	JP	(1)
530000001000	AC30HW AMPLIFIER(120V EX)	EX	(1)